

# Sliding Gate Motor



# ACER AC6-8R M DL



**Gear motor for sliding gates with max weight of 600–800 kg.**

- Magnetic limit switch
- Soft start for less noise
- Slow down for long lasting usage
- Lightweight structure
- Duration and safety
- In the event of power failure, the key-operated release device makes it possible to open and close the gate manually.



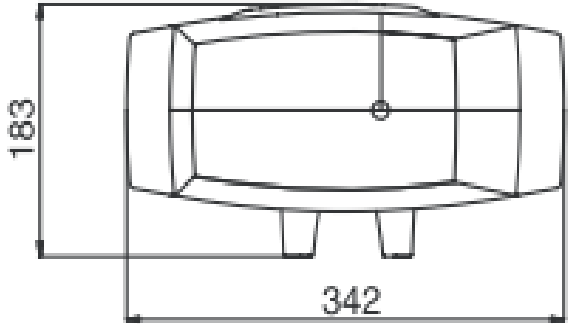
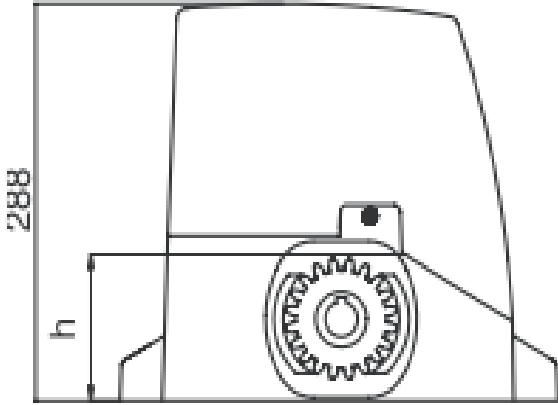
# SLIDING GATES OPERATORS



		230V				24V	
		AC4R DL	AC6R DL	AC8R DL	AC12R DL	AC3 RM DL	AC6 RM DL
Max weight wing	kg	400	600	800	1200	300	600
Motor supply	V	230V a.c.	230V a.c.	230V a.c.	230V a.c.	24V d.c.	24V d.c.
Power	W	250	280	300	350	150	150
Thrust	N	500	700	900	1200	300	500
Lubrification	Tipo	Grease	Grease	Oil	Oil	Grease	Grease
Thermal cut-out	°C	140	140	140	140	-	-
Working temperature	°C Min/Max	-20 +70	-20 +70	-20 +70	-20 +70	-20 +70	-20 +70
Protection level	IP	44	44	44	44	44	44
Intermittence work cycle	%	35	35	35	35	80	80
Speed	m/min	10	10	8	8	6/12	11
Height pinion (h)	mm	99	99	95	95	95	95



# Dimensions



# Accessories



Photocell



Remote Control



Flashing Light



Galvanized Iron Rack

